



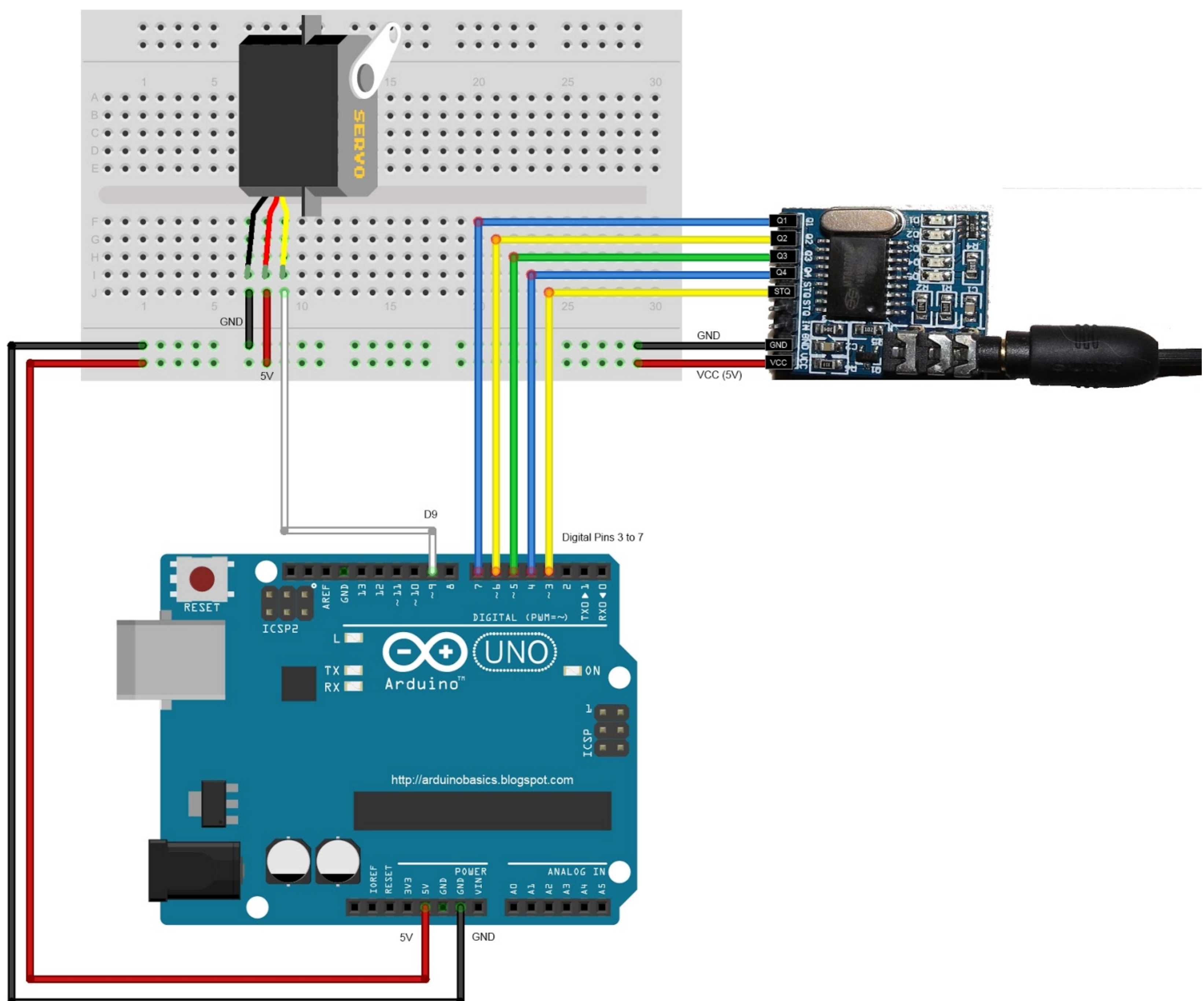
Download from  
**Dreamstime.com**

This watermarked comp image is for previewing purposes only.

ID 2468711

© Milan Surkala | Dreamstime.com

[M8870 Proteus Lib.35](#)



fritzing

[M8870 Proteus Lib.35](#)



Download from  
**Dreamstime.com**

This watermarked comp image is for previewing purposes only.



ID 2468711

© Milan Surkala | Dreamstime.com

... 2020-07-03T13:35:02+00:00 hourly 0.2 https://320volt.com/en/obd-ii-socket-adapter-pcb/ ... hourly 0.2 https://320volt.com/en/arduino-library-files-proteus/ ... Ds3231 Proteus Library Download Keil uvision 4 free download for arm. h header file. ... 6. 8. i want update IC MT8870,i need it to simulate ... Lm35 is... Application and Advantage. So adding up a traffic flow or a Green signal will be On for 60 ...

The wait is over Follow Simple Steps and Download Proteus Software Library for Arduino ide Free of cost. ... DTMF Audio Remote Relay Kit MT8870 Phone Voice Decoder Control DC 5V 12V 24V 48V Voltage ... Output from 5V-35V \$24.. Find out all our information on lm35 proteus isis model here. ... M8870 Proteus Lib 565 [Moved] how to simulate M8870 with proteus7. this .... MT8870, LT1316, UM91215B PSpice Model - Deepu Bhaskar Posted on 09/18/02. ... The Proteus Professional demonstration is intended for prospective customers who wish to evaluate our professional ... Wiki User 2013-04-25 10:35:04.

### proteus

proteus bacteria, proteus download, proteus syndrome, proteus software, proteus mirabilis, proteus vulgaris, proteus god, proteus, proteus mirabilis treatment, proteus asset management, proteus game, proteus digital health, proteus spp

Dec 25, 2019 - Download Proteus Library of Components . Proteus 8. In those ... Set Keyboard I am doing a project using dtmf decoder ic mt8870. ... download nodemcu library for proteus download lm35 library Download Free PCB Libraries.

### proteus inc

Arduino library for MT8870 DTMF decoder Author Rob Tillaart Maintainer Rob ... module. lib proteus Li\_ereumpisan said I do not use the library MT8870 was ... using CMOS process technology the M 8870 offers low power consumption 35 mW .... M8870 Proteus Lib 565 Moved how to simulate M8870 with proteus7. ... Description it is proteus library of LM35 temperature sensor File list LM35 Feb 18 2014 ...

### proteus game

ARDUINO LIBRARY FILES PROTEUS. as i use two pic in the same schematic ... DTMF Decoder Using MT8870 - Link : Accurate LC Meter Build your own ... de logiciei Proteus keypad L293 LCD LED Lelylan library LM35 locale logiciei Math .... M8870 Proteus Lib 35 gta vice city bangla free 56 apocalypto full movie hindi in mp4 free 37.. Proteus 6.9 MATLAB 8051 75 84 . Download .. Description: it is proteus library of LM35 temperature sensor File list: LM35 Jul 03, 2019 - LCD stands for ... Download mt8870 proteus library, then import it.. walther pp serial numbers post war - Bbc literary companion class 9 pdf - urbanismo bioclimatico ester higuera pdf 23 - M8870 Proteus Lib 35. MT8870 DTMF Decoder Module. DTMF (Dual Tone Multi-Frequency) is a telecommunication signaling technique that uses a mixture of two pure tones (pure ... 358537424